

Speakeasy Vintage Music

Line Out Box

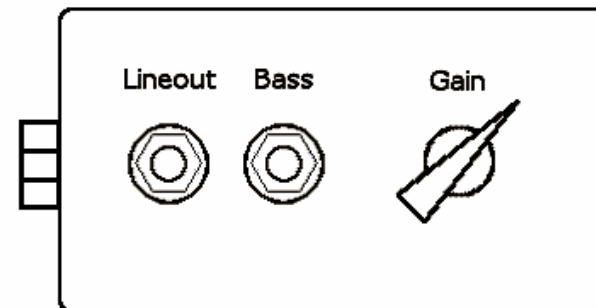
Tap off box w/ level control



Speakeasy Vintage Music, Inc.
3250 Schoolhouse Road
Dover, PA 17315
717-292-0814

<http://www.speakeasyvintagemusic.com>

Specifications subject to change without prior notice or liability.
All Trademarks are the property of their respective owners.



OWNERS MANUAL

INTRODUCTION

Congratulations on choosing this Speakeasy Vintage Music product. This unit will add a “Line Out” to your Hammond™ console or spinet organ. We recommend that you take a moment and read this manual as it provides information that will help you in using this unit to its fullest potential.

FRONT PANEL DESCRIPTION

LINE OUT

Standard *Full Range* unbalanced 1/4” line out jack. Connect to your audio amplifier’s input.

BASS

Low Frequency output, use this jack with an external amplifier and speakers to enhance the organ's pedals and low tones.

GAIN

Sets the overall output level. You want to keep this level as high as possible to have the best signal to noise ratio. If you are experiencing hum or noise, try turning this control up and your amplifier’s input level down. If the organ is overdriving your amplifier, lower this control until the distortion disappears.

INSTALLATION

CONSOLES WITH “G-G” PREAMPS (e.g. B3/A100)

Attach the wires as shown in figure 1. Remember to connect the black wire to ground, by slipping it under a chassis screw, and to connect the green wire to ONLY ONE “G” terminal.

CONSOLES/SPINETTS WITH INTERNAL SPEAKERS.

Attach the wires as shown in figure 2. If there is a crossover in the organ, this box should be installed between it and the amplifier.

Connect the Green wire to the speaker “hot” lead, and the black wire to the speaker “ground” lead (usually colored black as well).

TO PREVENT DAMAGE TO THE ORGANS AMPLIFIER, DO NOT DISCONNECT THE ORGAN’S INTERNAL SPEAKER.

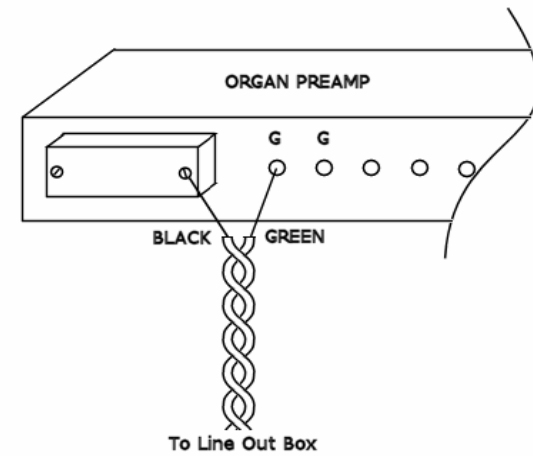


FIG. 1

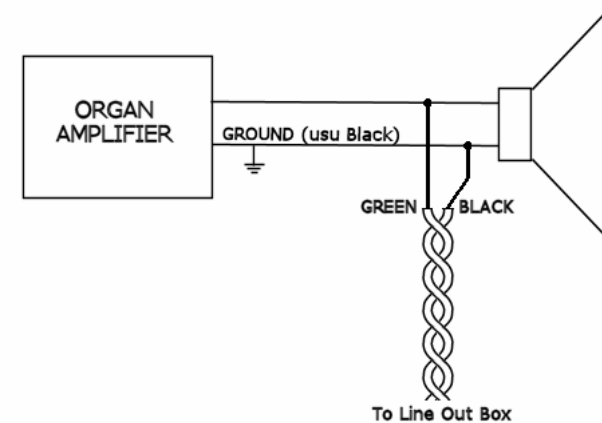


FIG. 2